

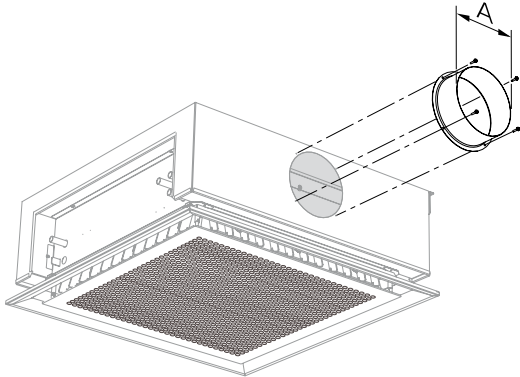
# PARASOL C

Installation – Commissioning – Maintenance

07/02/2023

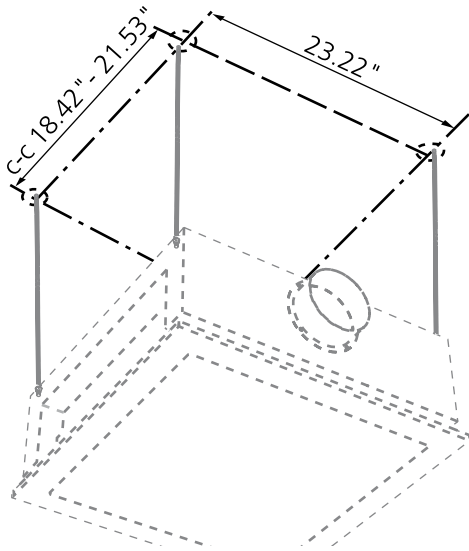
## Installation

1.

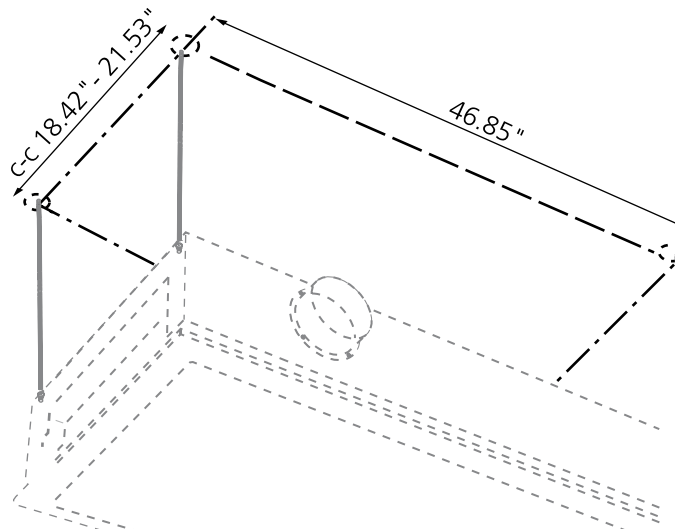


Unit	Airflow variant	A =
PARASOL 24"	MF	Ø 4.92"
PARASOL 48"	LF	Ø 4.92"
PARASOL 48"	MF	Ø 4.92"
PARASOL 48"	HF	Ø 4.92"
PARASOL 48"	PF	Ø 6.3"

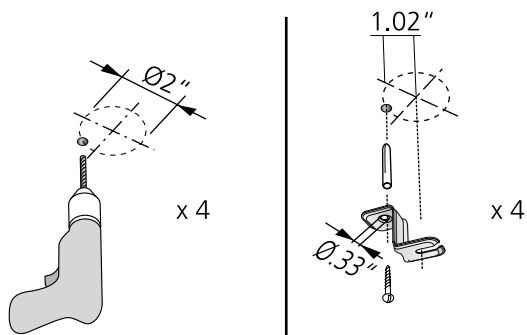
2. PARASOL 24"



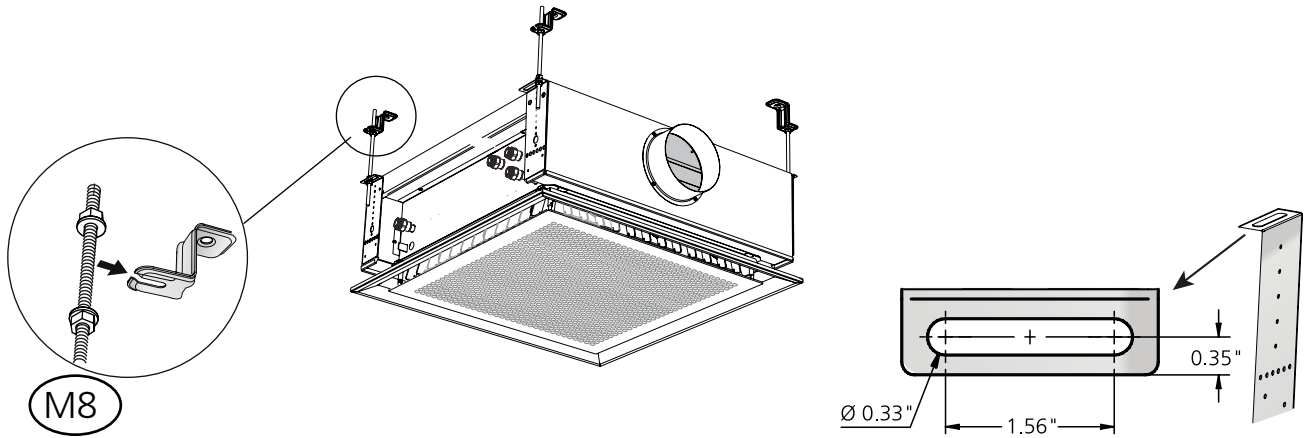
2. PARASOL 48"



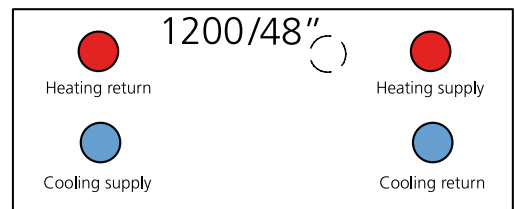
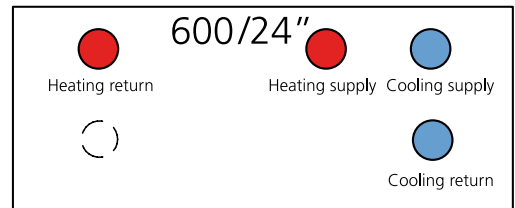
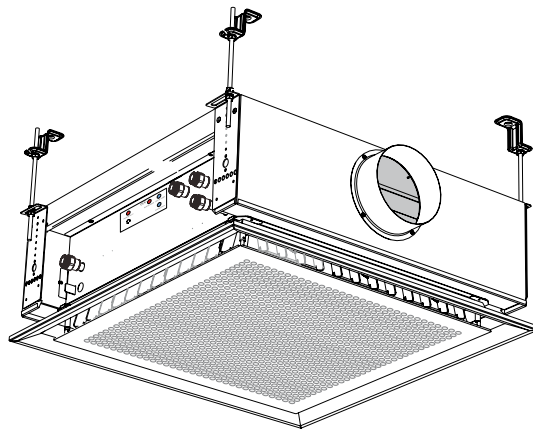
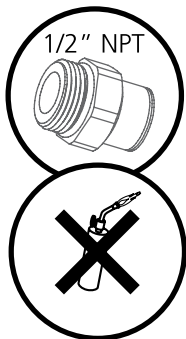
3.



4.



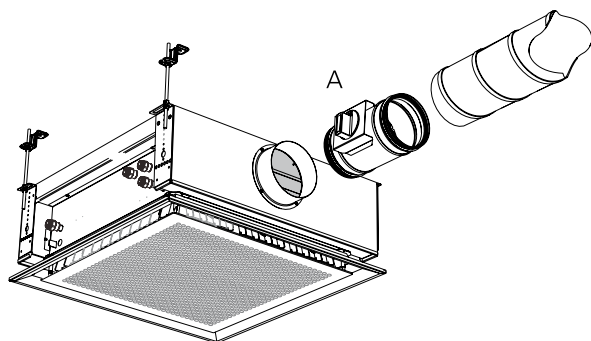
5.



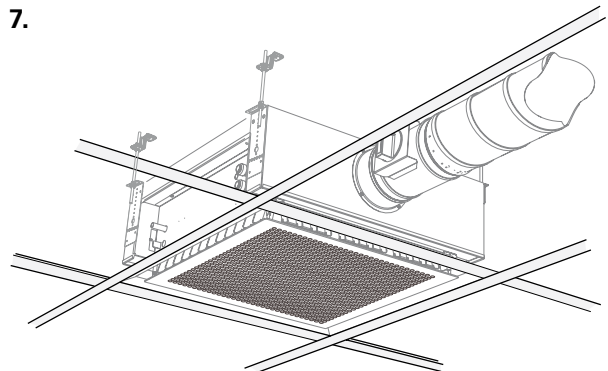
Max. recommended operating pressure: 230 psi  
 Max. permissible inlet flow temperature: 140°F

Water quality in the system must be regularly monitored to prevent corrosion in the water circuit

6.

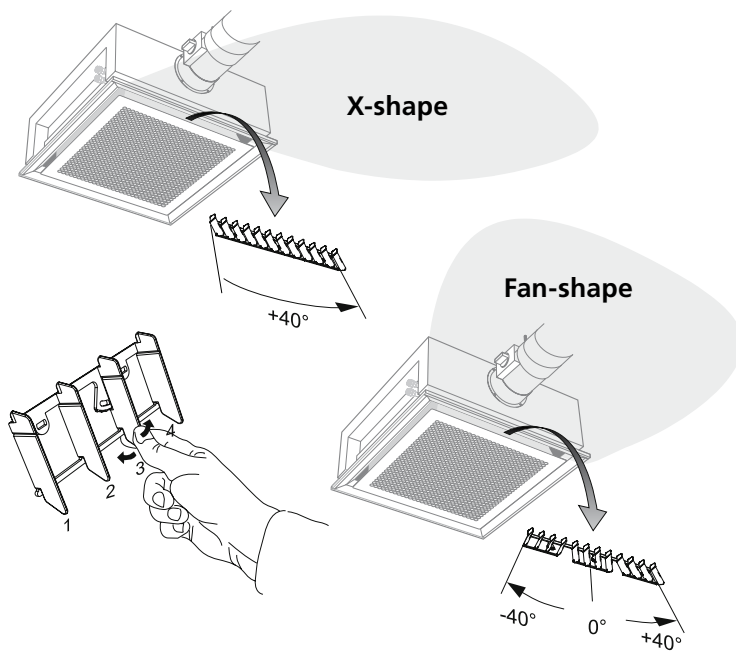
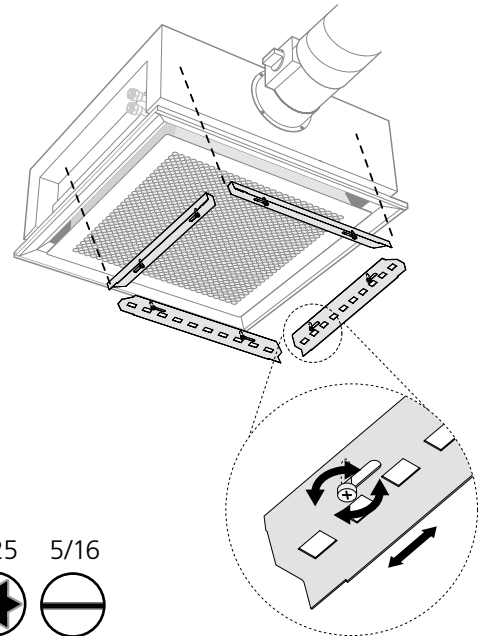
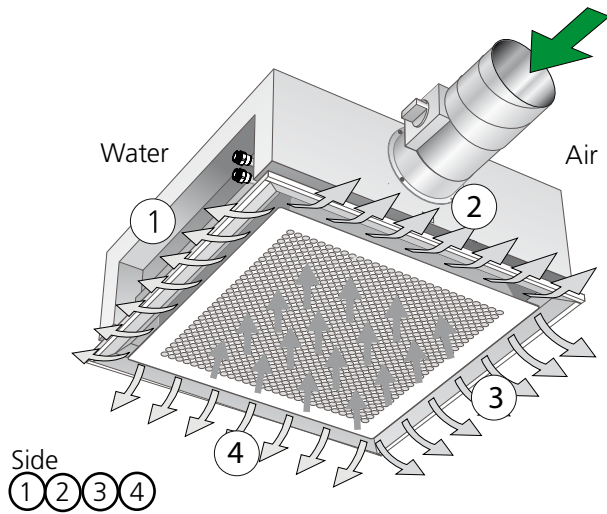


7.



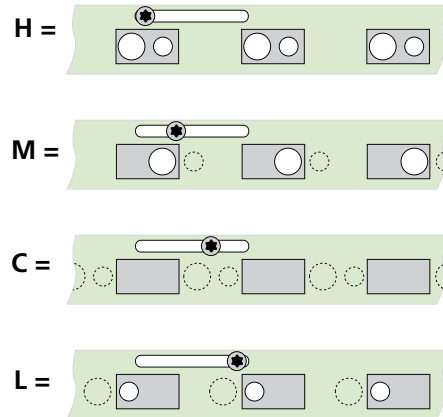
The optional damper must always be mounted with the knob to the left viewed in the direction of primary air flow, see figure 6.

# Commissioning



## Nozzle configuration

H → M → C → L



# PARASOL c

PARASOL c 48" LF / Double-module unit			
Type	Nozzle	Side	k-factor
LF	L	1&3 short	4.15
LF	L	2&4 long	10.97
LF	M	1&3 short	5.89
LF	M	2&4 long	15.52
LF	H	1&3 short	10.03
LF	H	2&4 long	26.49
LF	C	1, 2, 3, 4	0.00





PARASOL c 48" MF / Double-module unit			
Type	Nozzle	Side	k-factor
MF	L	1&3 short	5.89
MF	L	2&4 long	15.52
MF	M	1&3 short	8.46
MF	M	2&4 long	22.31
MF	H	1&3 short	14.35
MF	H	2&4 long	37.82
MF	C	1, 2, 3, 4	0.00

PARASOL c 48" HF / Double-module unit			
Type	Nozzle	Side	k-factor
HF	L	1&3 short	8.46
HF	L	2&4 long	22.31
HF	M	1&3 short	14.71
HF	M	2&4 long	38.79
HF	H	1&3 short	23.17
HF	H	2&4 long	61.10
HF	C	1, 2, 3, 4	0.00

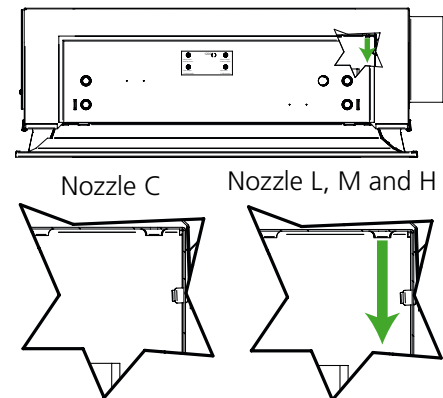
PARASOL c 48" PF / Double-module unit			
Type	Nozzle	Side	k-factor
PF	L	1&3 short	28.16
PF	L	2&4 long	74.27
PF	M	1&3 short	33.14
PF	M	2&4 long	87.34
PF	H	1&3 short	40.49
PF	H	2&4 long	106.74
PF	C*	1&3 short	18.59
PF	C*	2&4 long	49.05

\* Parasol c 1200 PF with nozzle C is not completely closed

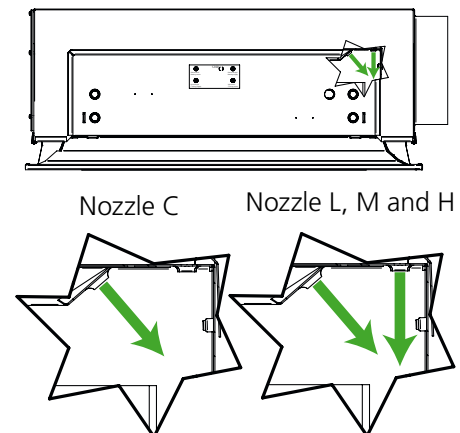
PARASOL c 24" MF / Single-module unit			
Type	Nozzle	Side	k-factor
MF	L	-	8.46
MF	M	-	14.71
MF	H	-	23.17
MF	C	-	0.00

Example Product Code: PARASOL c 48-A-HF-HLMH		
Side 1 = H		k=23.2
Side 2 = L		k=22.3
Side 3 = M		k=14.7
Side 4 = H		k=61.1
<b>k-factor HLMH = 23.2+22.3+14.7+61.1=121.3</b>		

## PARASOL LF, MF and HF



## PARASOL PF



# Maintenance

