

# WISE Paragon Wall

Instructions for Use

05/04/2023  
Art. 942428076

## Content

Symbol key .....	1
<b>Application area.....</b>	<b>2</b>
General .....	2
Contents.....	2
Protective equipment.....	2
Electrical safety.....	2
Handling.....	2
Installation.....	2
<b>Dimensions and weight.....</b>	<b>3</b>
<b>Installation .....</b>	<b>4</b>
Suspension .....	5
Water connection .....	7
Connecting water .....	7
Water connection on right side "R" .....	7
Water connection on left side "L" .....	7
Air connection .....	8
Connection dimensions air.....	8
<b>Commissioning.....</b>	<b>10</b>
Air distribution.....	10
<b>Connections.....</b>	<b>12</b>
LED - Explanation.....	12
Use.....	13
Trouble shooting.....	13
Cleaning.....	13
Service/maintenance .....	13
Materials and surface treatment.....	13
Disposal.....	13
Product warranty.....	13
Technical data.....	14
Electrical data .....	14
<b>Declaration of Conformity .....</b>	<b>15</b>
References .....	15
<b>Maintenance.....</b>	<b>16</b>

## Symbol key

### Symbols on the machine

This product complies with applicable  
EU directives



### Symbols in this user manual

Warning/Caution!



The document was originally written in Swedish

**Swegon** 

## Application area

The product is a comfort module with integrated radio transmitter designed for demand-controlled climate indoors within Swegon's ventilation system WISE. The product is used to ventilate, cool and heat premises exactly as needed.

The product may not be used for anything other than its intended use.



### General

Read through the entire instructions for use before you install/use the product and save the instructions for future reference. It is not permissible to make changes or modify this product other than those specified in this document.

### Contents

1 WISE Paragon Wall

1 x Instructions for use



### Protective equipment

Always use appropriate personal protective equipment for the work in question, in the form of gloves, respirators, protective glasses and helmets during handling, installation, cleaning and service/maintenance.



### Electrical safety

Permitted voltage, see Electrical data.

It is not permissible to insert foreign objects into the product's contactor connections or ventilation openings; risk for short circuiting.

24 V isolation transformer to be connected should comply with the provisions of IEC 61558-1.

Cable sizing must be carried out for cabling between the product and the power supply source.

Disconnect the power supply when working on products that are not required to run.

Always follow the local/national rules for who shall be permitted to carry out this type of electrical installation.

### Handling

Always use appropriate transport and lifting devices when the product is to be handled to reduce ergonomic loads.

The product must be handled with care.

### Installation

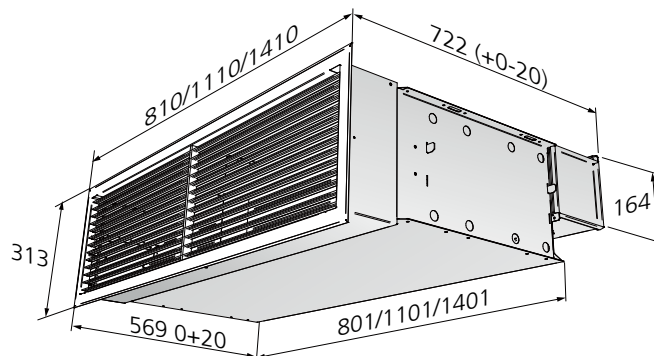
- Moist, cold and aggressive environments must be avoided.
- Assemble the product according to this instruction and applicable industry regulations.
- Install the product for easy access during service/maintenance.
- Avoid installing the product near a heat source.
- Check to make sure that the product does not have any visible defects.
- Check that the product is properly secured after it has been installed.
- Secure cables with cable ties.
- Check that all cables are properly secured in place after installation.

# Dimensions and weight

## Weight

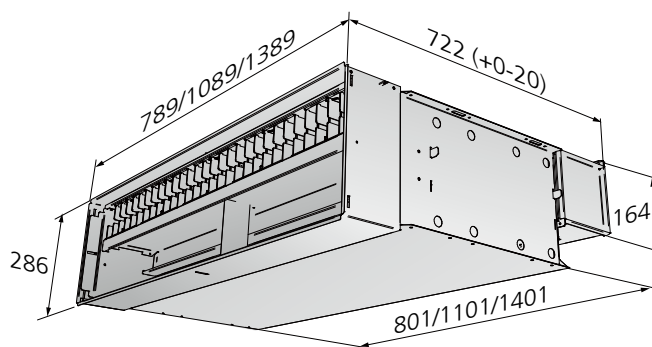
### WISE Paragon Wall 800

Length mm	Type	Dim. Ø	Dry weight* (kg)		Water volume (l)	
			without grill	incl. grill	cooling	heating
800 R	A	125	17.4	19,6	1.39	
800 L	A	125	17.4	19.6	1.38	
800 R	B	125	17.4	19.6	1.39	0.38
800 L	B	125	17.4	19.6	1.38	0.37
800 R	X	125	17.4	19.6	1.39	
800 L	X	125	17.4	19.6	1.38	



### WISE Paragon Wall 1100

Length mm	Type	Dim. Ø	Dry weight* (kg)		Water volume (l)	
			without grill	incl. grill	cooling	heating
1100 R	A	125	22.6	25.5	1.93	
1100 L	A	125	22.6	25.5	1.92	
1100 R	B	125	22.6	25.5	1.93	0.52
1100 L	B	125	22.6	25.5	1.92	0.51
1100 R	X	125	22.6	25.5	1.93	
1100 L	X	125	22.6	25.5	1.92	



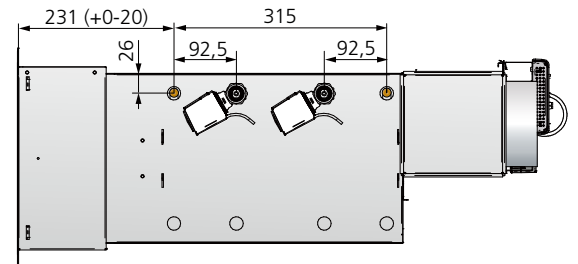
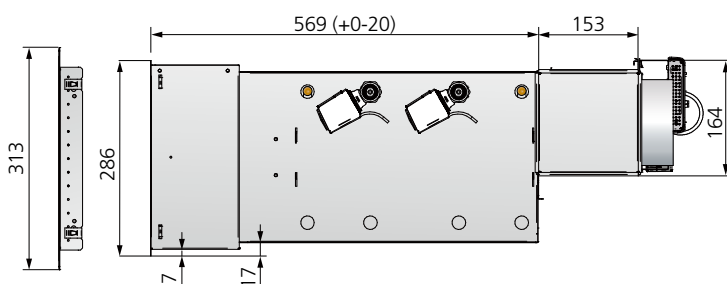
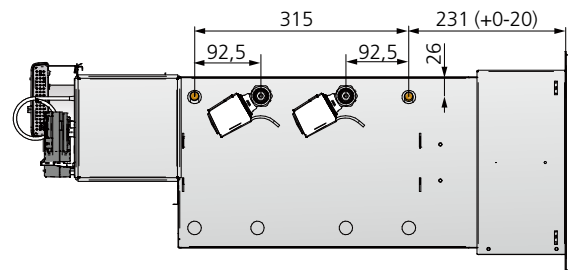
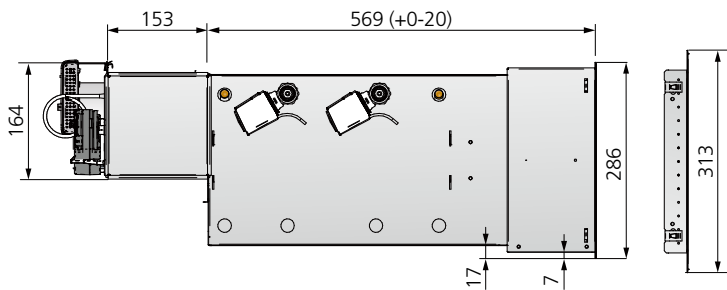
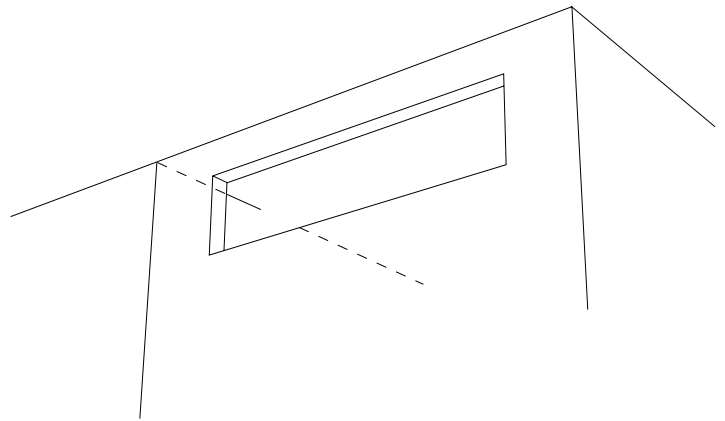
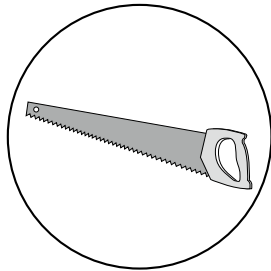
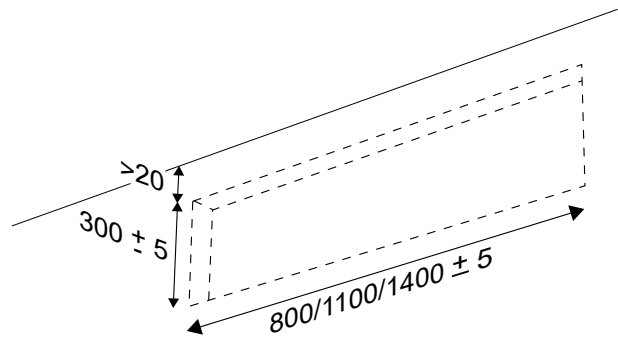
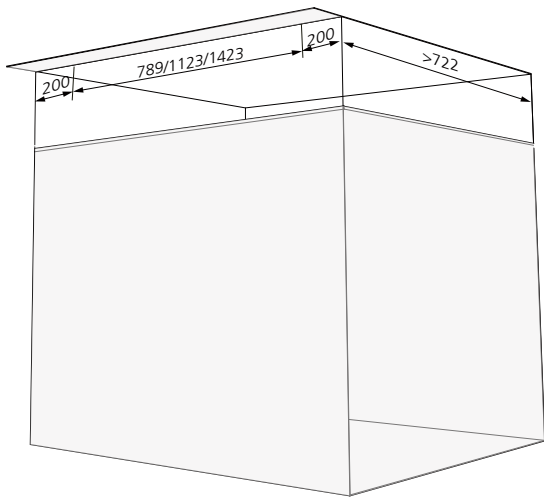
### WISE Paragon Wall 1400

Length mm	Type	Dim. Ø	Dry weight* (kg)		Water volume (l)	
			without grill	incl. grill	cooling	heating
1400 R	A	125	27.6	31.2	2.47	
1400 L	A	125	27.6	31,2	2.46	
1400 R	B	125	27.6	31.2	2.47	0.65
1400 L	B	125	27.6	31.2	2.46	0.64
1400 R	X	125	27.6	31.2	2.47	
1400 L	X	125	27.6	31.2	2.46	

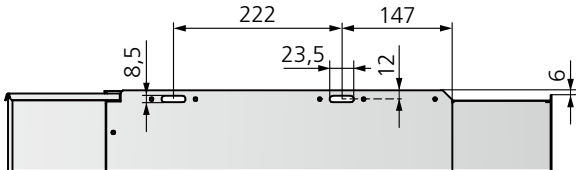
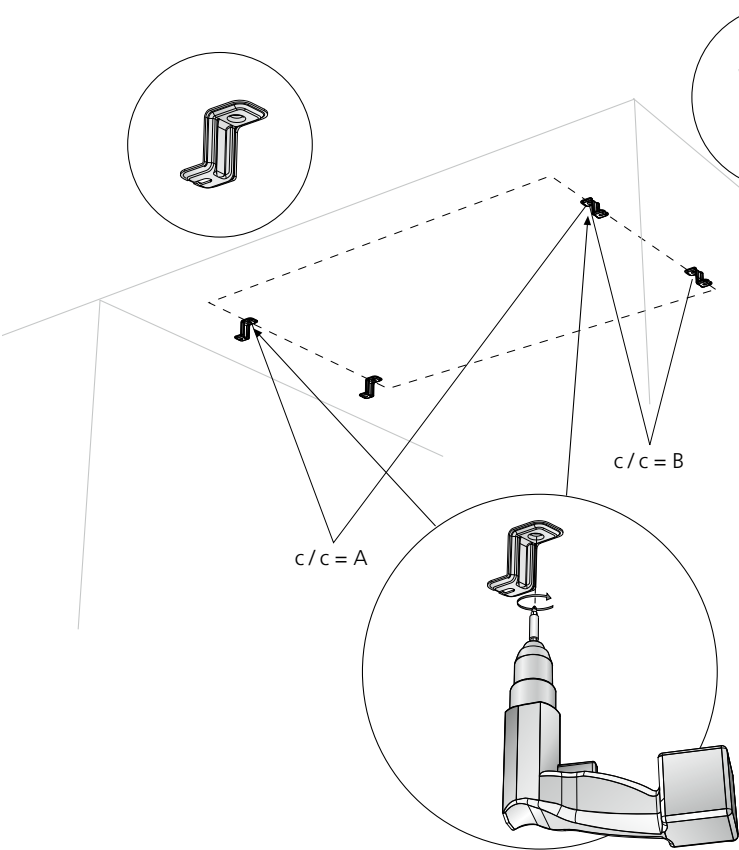
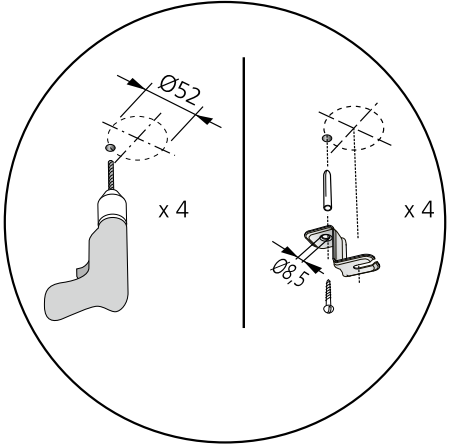
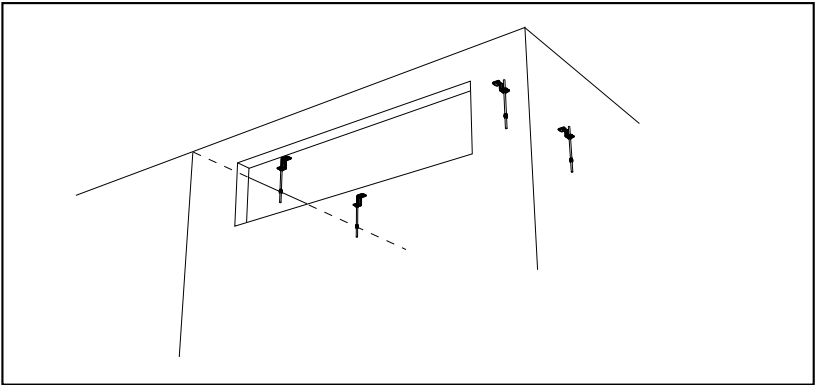
\* Weights above are excl.:  
Control equipment: 0,74 kg

# Installation

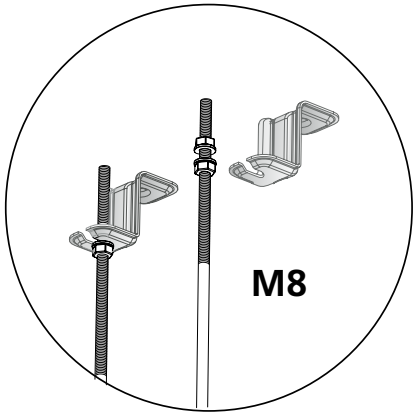
## Cutout dimensions

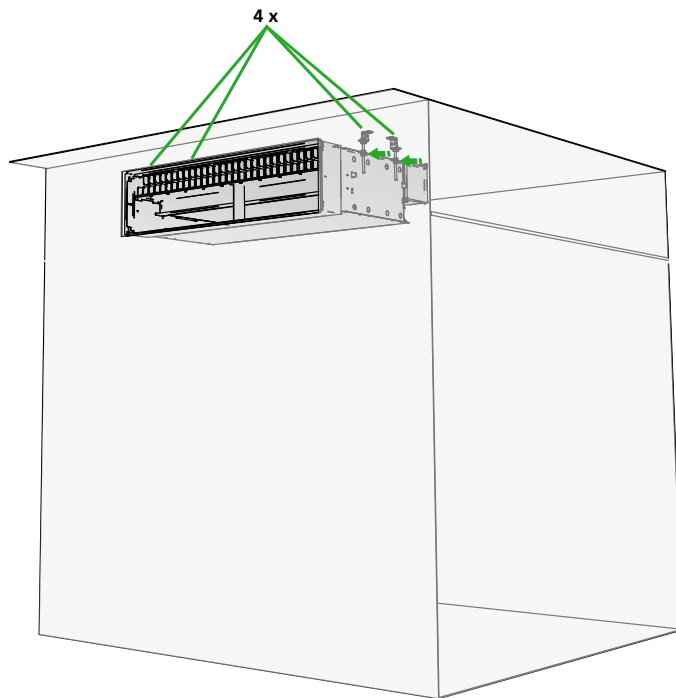
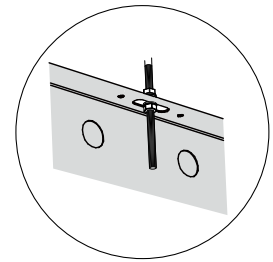
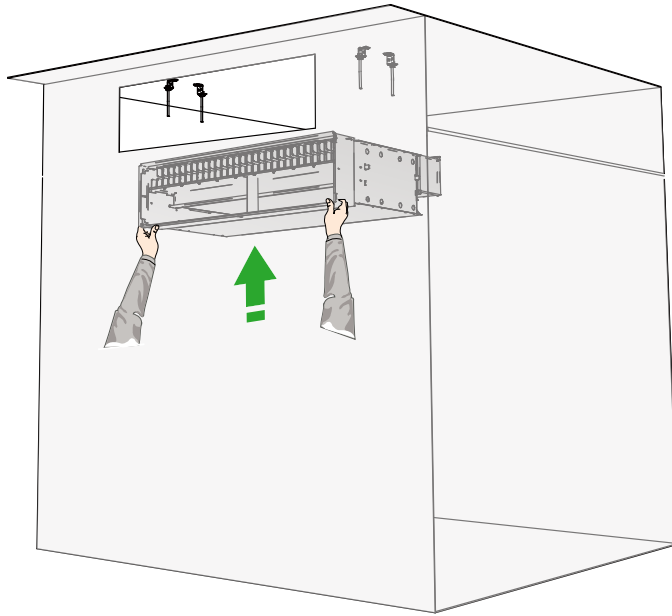


Suspension



Length (mm)	A (mm)	B (mm)
800	778	222
1100	1078	222
1400	1378	222





**Water connection**

**Water dimensions**

**Product with factory fitted valves:**

Length	Cooling	Heating
(mm)	Return	Return
800, 1100, 1400	DN15 external thread	DN15 external thread

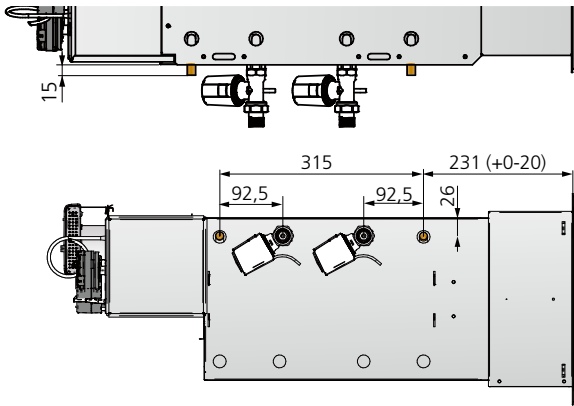
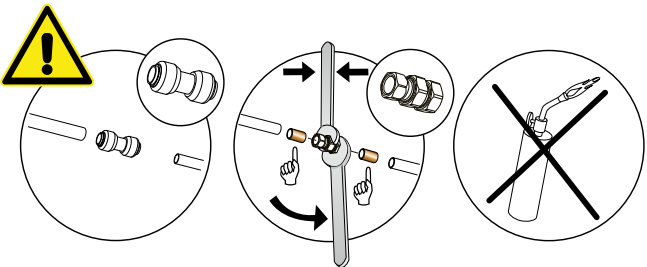
**Product without factory fitted valves:**

Length	Cooling	Heating
(mm)	Supply and return	Supply and return
800, 1100, 1400	Plain pipe	Plain pipe
	(Cu) Ø 12 x 1,0 mm	(Cu) Ø 12 x 1,0 mm

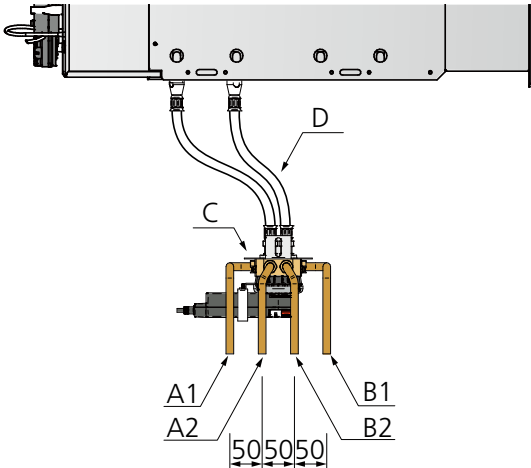
**Connecting water**

Connect the water pipes using push-on couplings or compression ring couplings when the product is ordered without valves. Note that compression ring couplings require support sleeves inside the pipes.

Do not use solder couplings to connect the water pipes. High temperatures can damage the unit's existing soldered joints. Flexible connecting hoses for water are available for flat-end pipes and valves, and can be ordered separately.



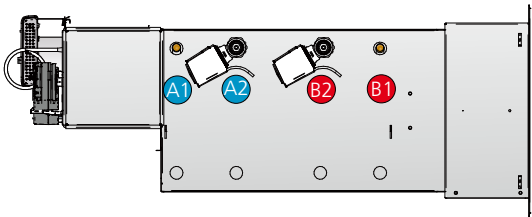
**Water connection, CCO-valve**



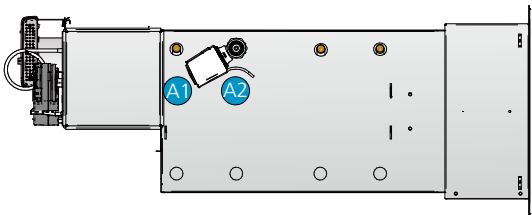
Water connection - CCO-valve.  
 A1 = Cooling water, supply  
 A2 = Cooling water, return  
 B1 = Heating water, supply  
 B2 = Heating water, return  
 C = CCO valve  
 D = Flexible hose

**Water connection on right side "R"**

Cooling and heating on right side "R", all sizes



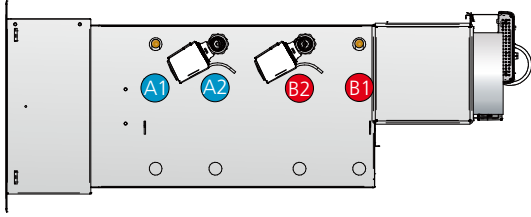
**Cooling on right side "R", all sizes**



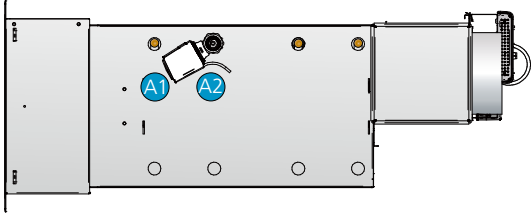
Water connection on right side (R).  
 A1 = Cooling water, supply  
 A2 = Cooling water, return  
 B1 = Heating water, supply  
 B2 = Heating water, return

**Water connection on left side "L"**

Cooling and heating on left side "L", all sizes



**Cooling on left side "L", all sizes**



Water connection on left side (L).  
 A1 = Cooling water, supply  
 A2 = Cooling water, return  
 B1 = Heating water, supply  
 B2 = Heating water, return

## Water quality

Swegon recommends water quality according to VDI 2035-2 for both the heating and cooling systems. In order to maintain the oxygen content in the water below the levels (<0.1 mg/l) prescribed in VDI 2035-2, it is recommended to install a vacuum degasser, particularly in the cooling system where it's more challenging to dissolved gas. It is also important that the pre-pressure in the expansion vessel is dimensioned according to EN-12828 for both the heating and cooling systems and that regular checks are made of the pre-pressure. The cooling and heating systems must be designed to prevent oxygen from entering the system, this is particularly important to consider when selecting flex hose, pipes and expansion vessels. When the system is filled with fresh water, it has an oxygen content of approximately 8 mg/l, however, this oxygen is consumed quickly through corrosion processes and within a few days the oxygen in the water should be consumed. Nevertheless, it is important to avoid filling the system with fresh water unnecessarily.

Automatic deaerators are often installed to facilitate filling of the system. It is recommended that the automatic deaerators are turned off once the system has been fully vented to avoid these drawing in air in the system if the pre-pressure in the expansion vessel should drop.

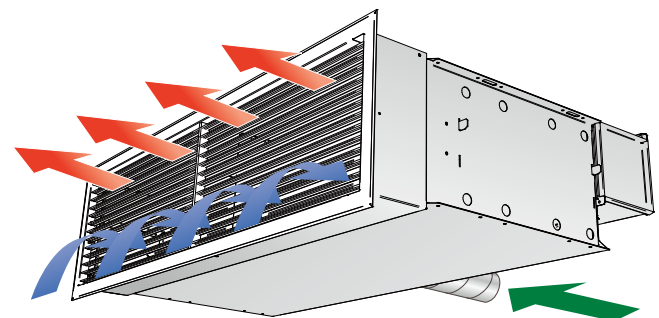
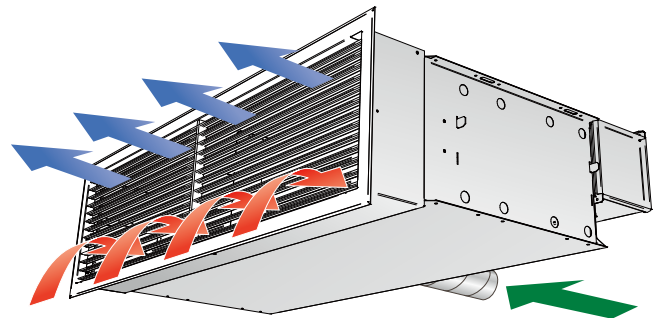
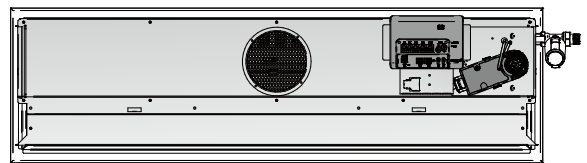
## Air connection

All variants have an air connection Ø125. The product has the air connection centered on the back of the product for easy access from both ends and back.

## Connection dimensions air

Length (mm)	Air connection
800, 1100, 1400	Ø 125

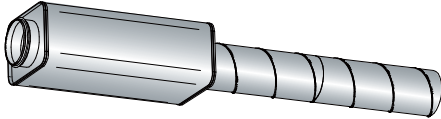
View from the back



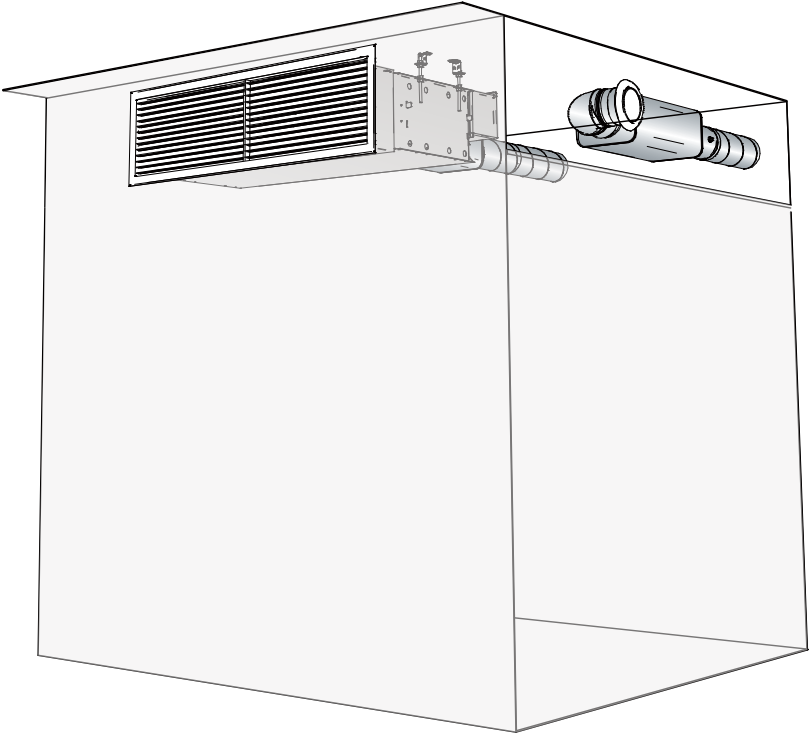
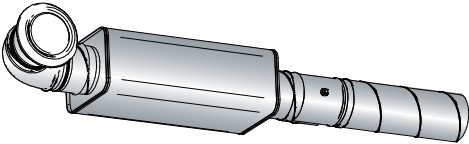


# Supply and extract air kit

Supply air



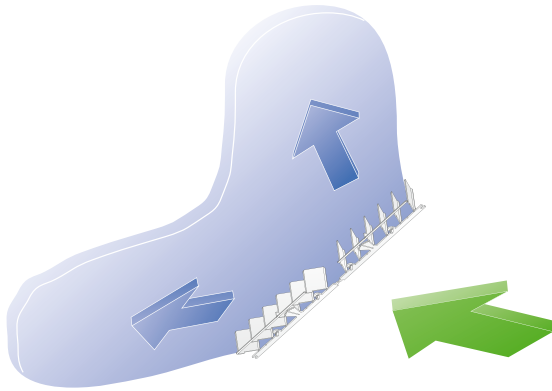
Extract air



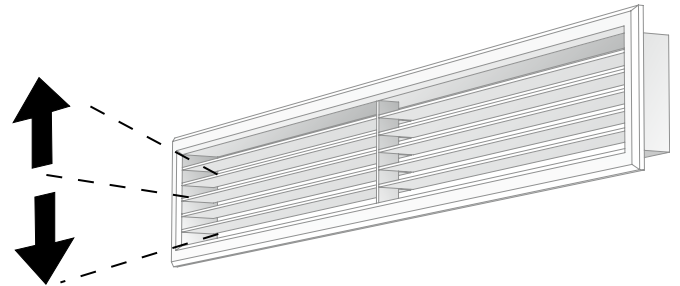
# Commissioning

WISE Paragon Wall is a part of the WISE system that demands controls both air and water on a room level and guarantees the highest level of indoor climate with minimum energy consumption. This means that when the installation and pairing of the system are completed, no further trimming is required except for any adjustment of ADC.

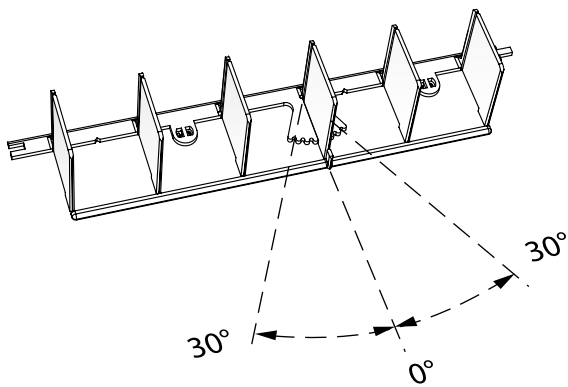
## Air distribution



Horizontal air distribution with ADC

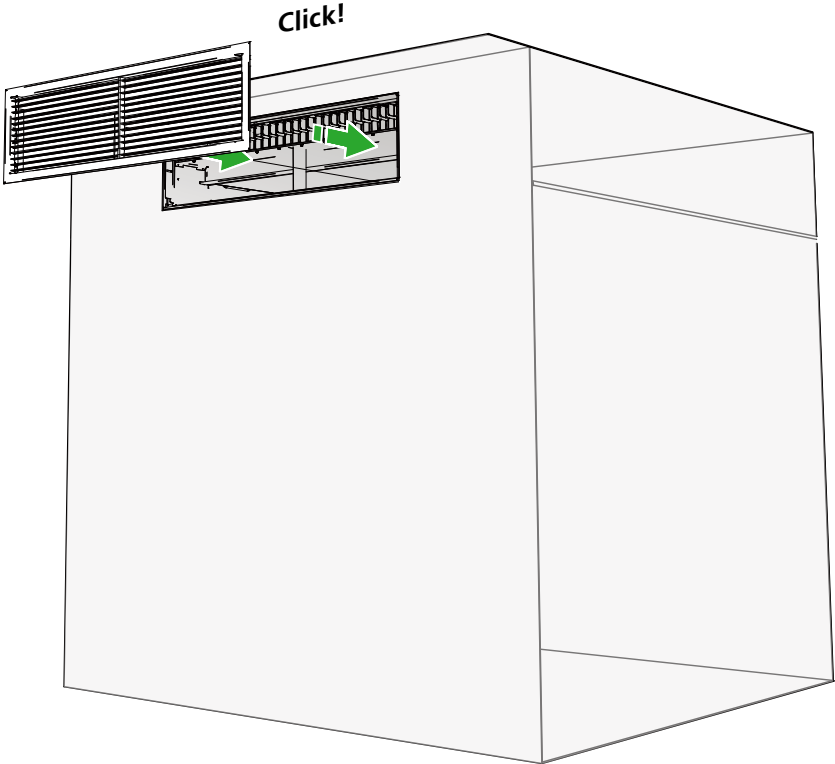


Vertical air distribution with adjustable slats in the supply air grille.

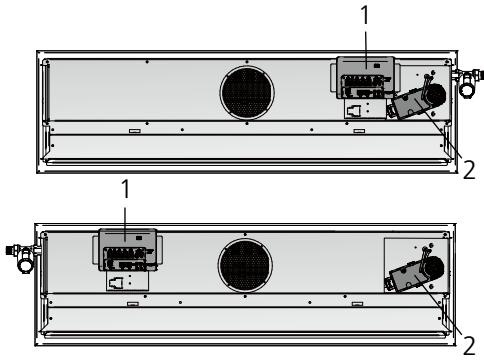


ADC

Grille assembly



# Connections

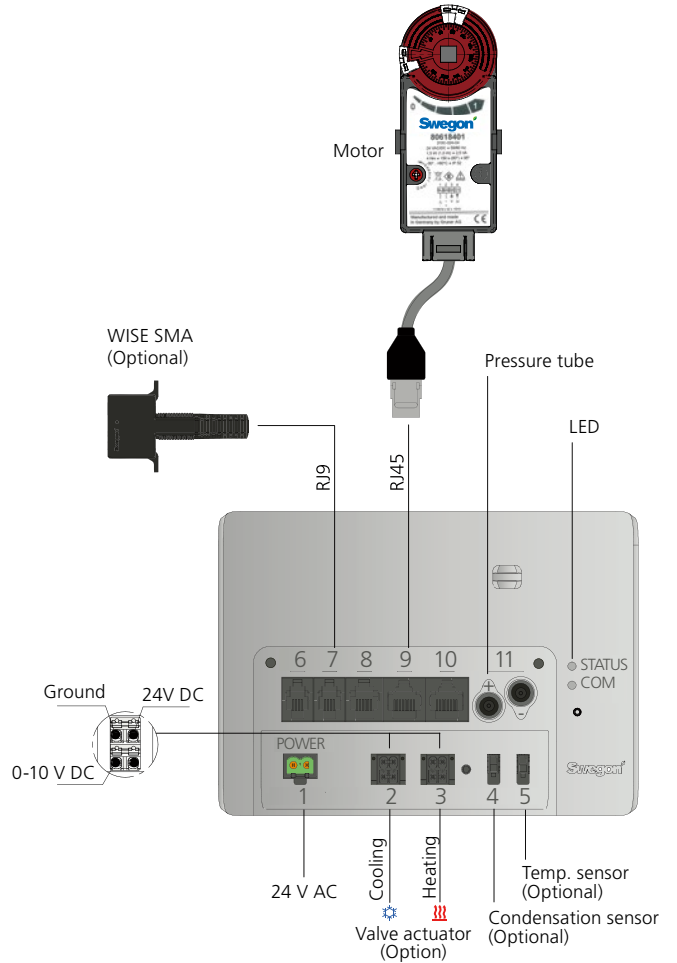


## WISE Paragon Wall with factory-fitted components

1. WISE CU (Controller Unit)
2. Motor for integrated air damper

## Factory fitted components as an option

- Sensor Module Advanced (WISE SMA), (Optional)
- Valves and actuators for cooling
- Valves and actuators for heating
- Temp. sensor
- Condensation sensor



WISE Paragon Wall, connection.

## LED - Explanation

### Not connected "paired"

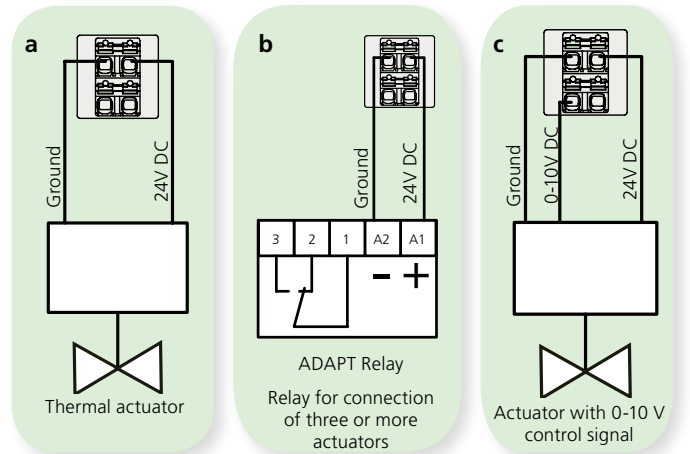
	Colour	Type
Energized	White	Permanent
Selected in TuneWISE	White	Flashing, fast
Prepared to be added to the system	White	Flashing, slowly
To be added to the system	White	Flashing, fast for 5 s

### Connected "paired"

	Colour	Type
Normal operation	Green	Permanent
Restart	Blue	Permanent for 10 s
Initiation	Blue	Flashing
Boosted max. flow	Orange	Permanent
Boosted min. flow	Orange	Permanent
Boosted water flow	Violet	Permanent
Boosted water flow/air flow	Violet/Orange	Alternating
Comfort alarm	Red	Permanent
Function alarm	Red	Flashing
Emergency mode	Green/Red	Alternating
Test mode	Green/Orange	Alternating

## There are different types of actuators

- For connection of the thermal actuator such as Swegon's actuator ACTUATORc, see figure a
- When connecting the relay for connection of three or more actuators, see figure b
- When connecting of the actuator with 0-10 V control signal (NOTE! 24 V DC supply) see figure c



## Use

Use TuneWISE for commissioning. Commissioning must be performed by qualified and trained WISE service engineers.

Use SuperWISE for settings, reading alarms, etc. refer to the documentation for SuperWISE II / SuperWISE II SC.

## Trouble shooting

The product is not shown in the system:

- Make sure that the product is energized. (e.g. diode)
- Make sure that the product is paired.
- Make sure the product is in the right network.

### The product shows incorrect/no air flow/pressure

- Make sure that the product is installed according to the recommended distance.
- Check that there is air flow/pressure.
- Check that the measuring tube is mounted correctly.
- Check that the measuring tube is undamaged.

### The product does not regulate the air flow/pressure

- Check that the motor has not become detached from the damper spindle.
- Check that the motor works by turning the motor's release button, turn the damper spindle, release the knob and then see whether the motor starts to move.

### The product shows incorrect/no temperature

- Make sure the temperature sensor is not missing.
- Make sure that the temperature sensor does not hang outside the product.
- Check that the temperature sensor is connected to the right input.

### The product shows incorrect/no VOC/CO2

- Make sure the VOC/CO2 sensor (WISE SMA) is not missing.
- Check that the VOC/CO2 sensor is connected to the right input.

## Cleaning

Ideally the product should be cleaned twice a year by vacuuming the coil to remove loose dust. In fibre dense environments a more frequent interval is recommended.

A simple visual inspection of connections is recommended when cleaning.

Avoid aggressive cleaning agents which may harm painted surfaces. Normally a mild soap or alcohol solution is fully adequate for cleaning. See also the maintenance section in this instructions for use.

### Cleaning of electrical components

- If needed, use a dry cloth to clean the components.
- Never use water, detergent and cleaning solvent or a vacuum cleaner.

## Service/maintenance

- In connection with a service, mandatory ventilation inspection or cleaning of the ventilation system, check that the general condition of the products looks ok. Pay particular attention to the suspension, cables and that they sit firmly in place.
- It is not permissible to open or repair electrical components.
- If you suspect that the product or a component is defective, please contact Swegon.
- A defective product or component must be replaced by an original spare part from Swegon.

## Materials and surface treatment

Sheet parts are made of galvanised sheet steel (Z275) and pre-painted sheet SS-EN 10143+10346 - DX52D + ZA95, NCS S 0500-N gloss 30+/-6%.

## Disposal

Waste must be handled according to local regulations.

## Product warranty

The product warranty or service agreement will not be in effect/will not be extended if: (1) The product is repaired, modified or changed, unless such repair, modification or change has been approved by Swegon AB; or (2) the serial number on the product has been made illegible or is missing.

## Technical data

Max. radio frequency output:	50 mW
Frequency band:	2.45 GHz, IMS band (2400--2483 MHz)
Temperature sensor:	0 - 50°C ± -0.5°C
Dynamic pressure sensor:	0 - 300 Pa
With WISE SMA	
VOC sensor	450 - 2000 ppm
RH sensor:	0 - 100 RH%
IP class:	IP20
Running time open/close (90°):	120 s
Ambient temperature	
Operation:	0 – 50°C
Storage:	-20 – +50°C
RH:	10 - 95% (non condensing)
CE marking:	2006/42/EC (MD) 2014/53/EU (RED) 2011/65/EU (RoHS2)

## Electrical data

Power supply:	24V AC ±15% 50 - 60Hz
Connections pipe dim.	
Power:	Screw terminal max. 2.5mm <sup>2</sup>
Valve actuator:	Push-in spring force connections, max. 1.5 mm <sup>2</sup>
Max. power consumption:	See table below

WISE Paragon in standard design:	VA / unit	Standard VA total
WISE CU	2.3	4.3
Damper motor (315C)	2	

Option:	VA / unit		
	1 st	2 st	3 st
Valve actuator, ACTUATORc	6	12	18*
WISE SMA	0,8		

*Example:*

*WISE Paragon in standard design with the following options: Actuator for cooling and heating as well as WISE SMA, gives a total power consumption of 4.3 + 6 + 0.8 = 11.1 VA*

*\*Valid for products with CU ver. 2, delivered from 01/10/2019*

## Declaration of Conformity

Swegon AB hereby affirms that

WISE Paragon with integrated radio, complies with the essential characteristic demands and relevant regulations specified in the following directives: 2006/42/EC (MD), 2014/53/EU (RED) and 2011/65/EU (RoHS2):

The following standards have been observed:

EN ISO 12100:2010	Safety of machinery - General principles for design - Risk assessment and risk mitigation
EN 60204-1:2006	Safety of machinery - Electrical equipment of machines - Part 1: Generic standards
EN 60730-1:2011	Automatic electrical control and control unit for household use - Part 1: Generic standards
EN 60730-2-14:2009	Automatic electrical controls for household and similar use - Part 2 Particular requirements for electric actuators
IEC 60529:1992+A2:2013	Degrees of protection provided by enclosures (IP code)
EN 61000-6-2:2007	Electromagnetic compatibility (EMC). Generic standards. Immunity for industrial environments
EN 61000-6-3:2007	Electromagnetic compatibility (EMC). Generic standards. Emission standard for residential, commercial and light-industrial environments
EN 300 328 V1.9.2, V1.9.1, V1.8.1	Electromagnetic compatibility and Radio spectrum Matters (ERM) - Wideband Transmission systems - Data transmission equipment operating in the 2.4 GHz ISM band and using spread spectrum modulation techniques
EN 60335-1:2012+A11:2014 EN 60335-2-30:2009+A11 EN 62233:2008	Electric household appliances and similar appliances - Safety - Part 1: Generic standards



Person responsible for this declaration:

Name: Per Eriksson, Product Development Manager

Address: Fallebergsvägen 17, 671 34 Arvika, Sweden

Date: Arvika 28/10/2021

This declaration is applicable only if the product has been installed according to the instructions in this document and if no modifications or changes have been made on this product.

## References

[www.swegon.com](http://www.swegon.com)

Building Materials Declaration

WISE Paragon Wall product data sheet

WISE System Guide

SuperWISE II / SuperWISE II SC User Manual

WISE Project Planning Guide - Heating, Cooling & Ventilation and Electricity & Control

# Maintenance

