

# KDY<sub>d</sub>

Installation – Commissioning – Maintenance

20101125

## Installation

Cut an opening in the duct according to dimensions I x J in the dimensions table. Place the air diffuser over the opening and secure it with screws to the duct. See Figure 1.

## Commissioning

A flow measuring damper installed in the duct upstream of the first duct diffuser is recommended for commissioning and airflow measurements.

## Maintenance

The air diffuser can be cleaned, if necessary, using luke-warm water with dishwashing detergent added or by vacuum cleaning using a brush nozzle.

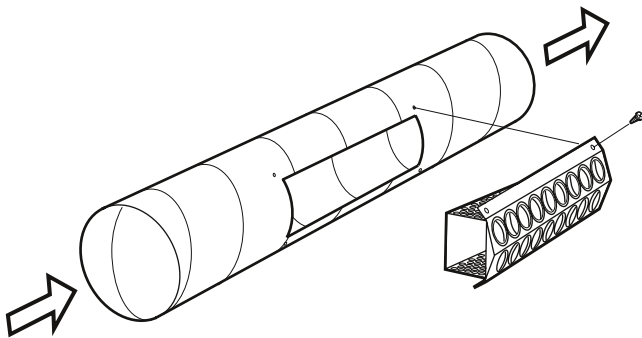


Figure 1. Installation.

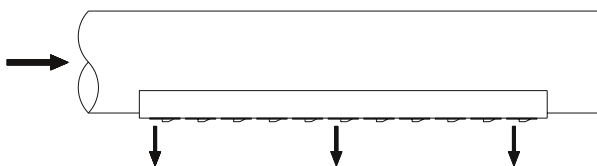


Figure 2. Installation alternative, no airflow beyond the arrangement of discs.

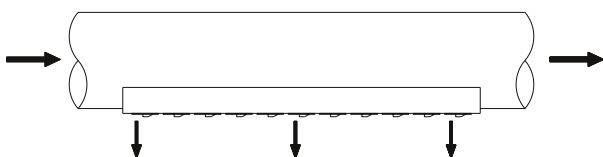


Figure 3. Installation alternative, air also flows past the discs.

## Standard KDY disc pattern

2 - 7



2 - 9



2 - 14



2 - 18



3 - 14



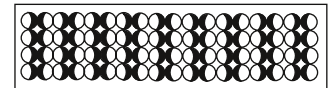
3 - 18



4 - 14



4 - 18



## KDY disc pattern or diffused air distribution pattern

2 - 7



2 - 9



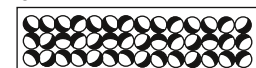
2 - 14



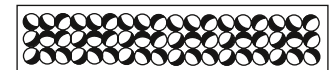
2 - 18



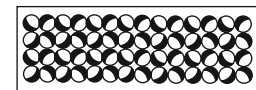
3 - 14



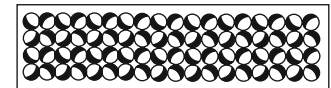
3 - 18



4 - 14



4 - 18



# Dimensions and Weights

## KDY-C

Size	A	C	I x J	Number of discs	Weight, kg
2-7	550	126	132 x 510	14	2.0
2-9	690	150	132 x 650	18	2.4
2-14	1040	170	132 x 1000	28	3.1
2-18	1320	205	132 x 1280	36	3.7
3-14	1040	175	197 x 1000	42	3.9
3-18	1320	210	197 x 1280	54	5.0
4-14	1040	195	262 x 1000	56	4.9
4-18	1320	230	262 x 1280	72	6.7

Size of opening = I x J

Fits duct dimensions according to the specification matrix on the last page.

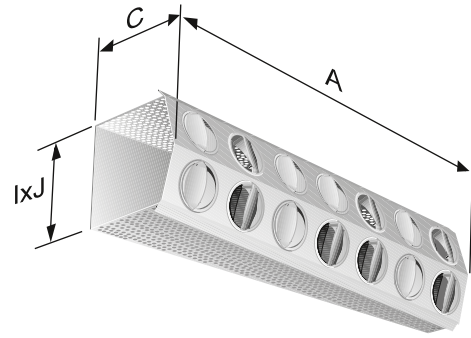


Figure 4. KDY-C.

## KDY-R

Size	A	B	C	I x J	Number of discs	Weight, kg
2-7	540	178	95	132 x 510	14	2.0
2-9	680	178	113	132 x 650	18	2.4
2-14	1030	178	160	132 x 1000	28	3.1
2-18	1310	178	190	132 x 1280	36	3.7
3-14	1030	243	160	197 x 1000	42	3.9
3-18	1310	243	190	197 x 1280	54	5.0
4-14	1030	307	160	262 x 1000	56	4.9
4-18	1310	307	190	262 x 1280	72	6.7

Size of opening = I x J

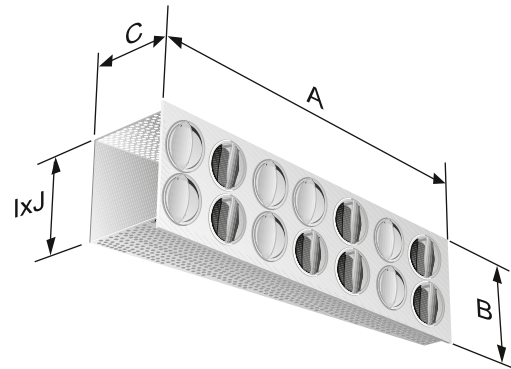


Figure 5. KDY-R.