

LOCKZONE Wall a

Installation – Commissioning – Maintenance

20191025

Installation

See Figure 1.

1. Cut an opening in the wall according to the wall opening dimensions specified.
2. Place the commissioning box in the opening.
3. Insert the mounting frame into the commissioning box and secure it with screws in the short sides to the commissioning box and to the wall structure.
4. The assembly and dismantling of the component parts are shown in Figure 1.
5. Press the diffuser face to engage it in the mounting frame.

Commissioning

Commissioning should be carried out with the diffuser face mounted. Pull the measurement hose and damper adjustment cords out of the air diffuser through the perforation. Connect a manometer to the measuring tube. The desired commissioning pressure can be calculated

using the rated coefficient of performance of the air diffuser. Set the damper to the correct blade position, tie a commissioning knot in the damper cords to indicate the damper position. Then lock the cords against the locking screw in the air distribution baffle.

The rated coefficient of performance (K-factor) is specified on the identification label of the product and in the relevant commissioning instructions at www.swegon.com. See Figure 1.

Maintenance

The air diffuser can be cleaned, if necessary, using lukewarm water with dishwashing detergent added or by vacuum cleaning using a brush nozzle. The duct system can be accessed after the air diffuser section has been removed, the acoustic baffle has been withdrawn, the air distribution discs have been moved to the side and the damper has been turned and withdrawn from its holder from the inlet. See Figure 1.

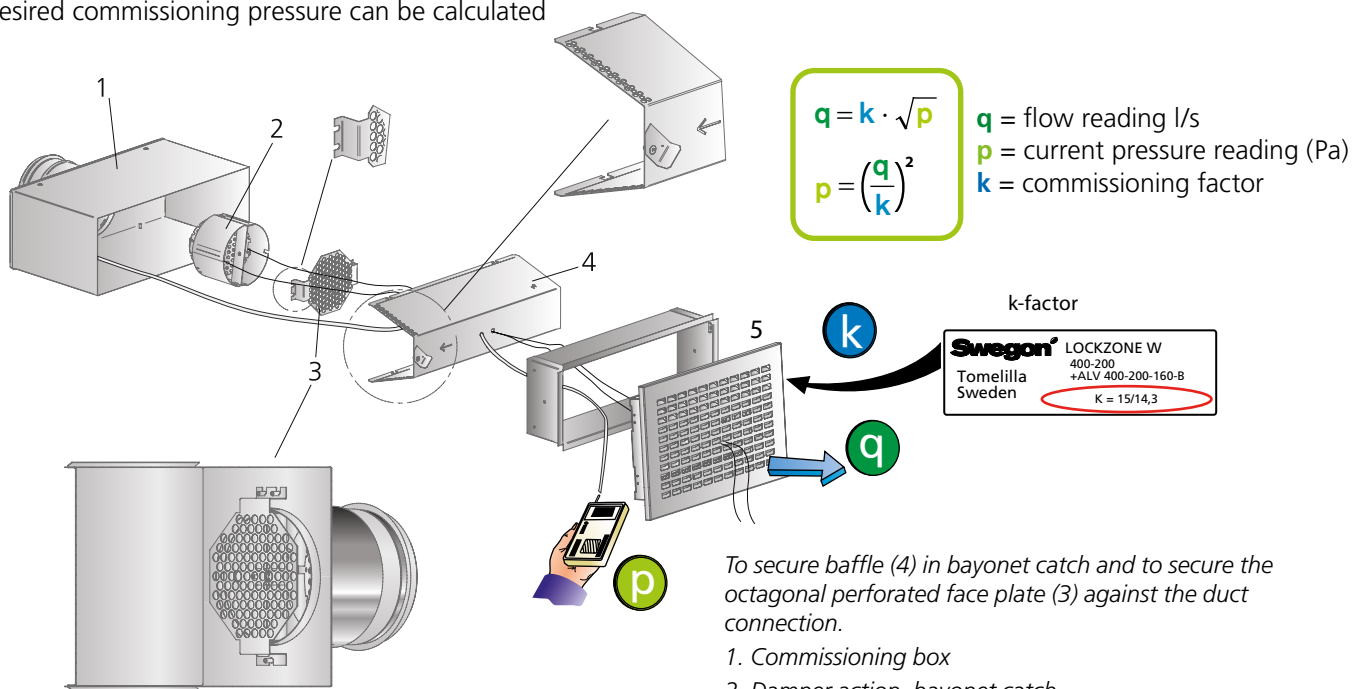


Figure 1. Installation. Commissioning.

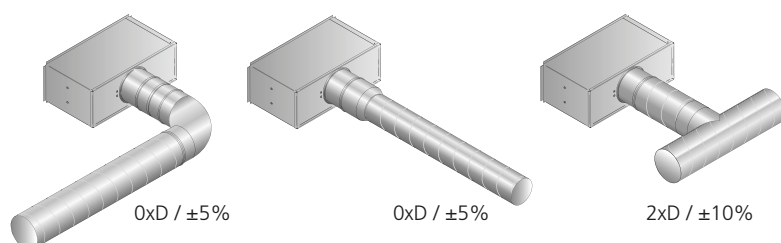


Figure 2. Installation alternatives, applies for all connections (B, K)

Dimensions and weight

LOCKZONE W

Size	A	B	ØD	F	G	G2	K	L	M	I x J	Weight, kg
300-150	330	180	99	295-375	225-305	270-350	85	145-225	195-275	305 x 155	3,0
400-150	430	180	124	295-375	225-305	331-411	85	180-260	240-320	405 x 155	3,5
400-200	430	230	159	315-395	225-305	331-411	100	145-225	225-305	405 x 205	4,0
550-250	580	280	199	360-440	251-331	371-451	120	145-225	245-325	555 x 255	6,5
550-300	580	330	249	385-465	251-331	425-505	145	145-225	275-355	555 x 305	7,5

The G2, K, L and M dimensions are applicable to a side-connected commissioning box.

Size of opening = I x J

CL = Center line

ALVT 1

Size	A	B	N
300-150	330	180	230
400-150	430	180	230
400-200	430	230	230
550-250	580	280	255
550-300	580	330	255

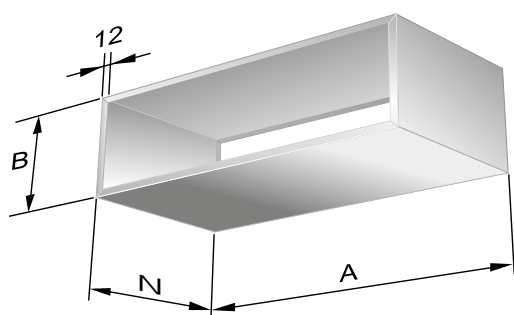


Figure 3. ALVT 1 cover plate.

K-factor (COP)

ALVe Size	LOCKZONE W, supply air	
	Connection, rear side	Connection, short side
300-150	7.4	6.9
400-150	10	9.9
400-200	15	14.3
550-250	26.3	24.9
550-300	32.4	32

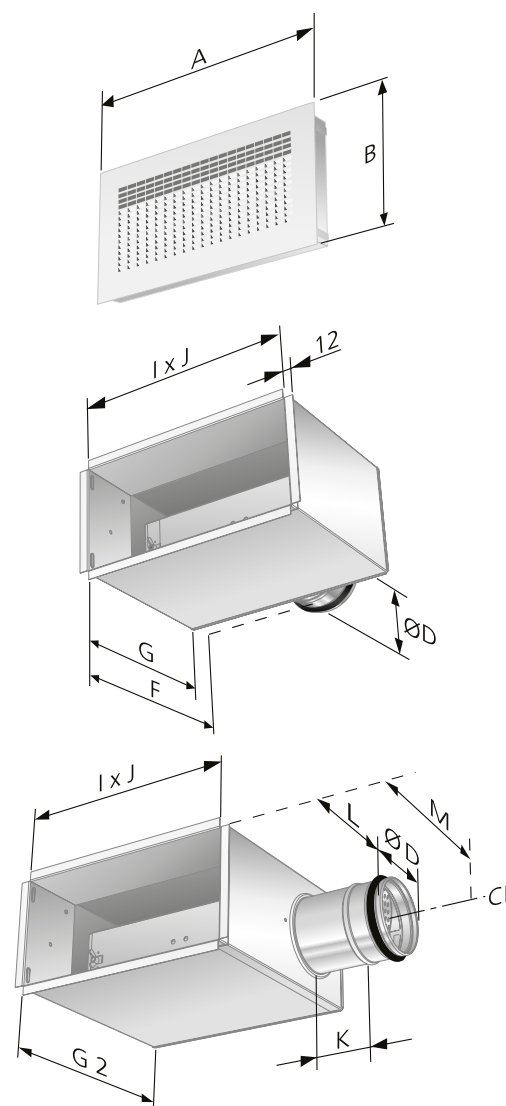


Figure 4. LOCKZONE W with ALV commissioning box.