

DBC_d

Installation – Commissioning – Maintenance

20121126

Accessories

Regulator unit:

REG. Combination regulator unit with damper and sound attenuator.

Duct cover:

DBCT 1. For incorporation of the regulator unit and the connected spiral duct.

Base:

DBCT 2. For erecting the displacement air diffuser on a floor.

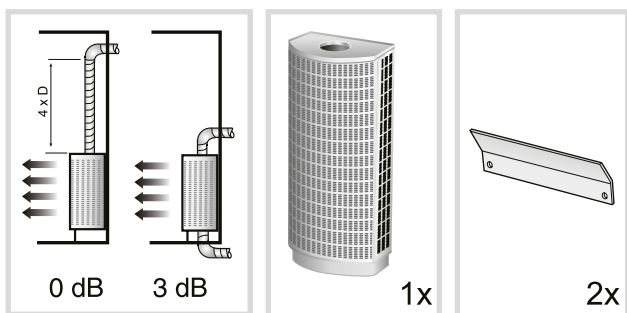
Decorative top:

DBCT 3. Removable top board in different materials and dimensions. Can be used when duct cover is not utilized. Please contact your nearest sales representative for further information.

Installation

Secure the air diffuser to the wall using screws and the angle brackets supplied with the diffuser. Screw the base into place on the bottom of the unit. Note that connection to the ducting with a duct bend or T piece near the air diffuser will increase the level of flow generated sound. See Figure 1.

Secure the telescopic duct cover to the wall with screws and the wall mounting rails supplied with the diffuser. Conceal the screws with removable cover strips. The REG regulator unit has a circular connection spigot with a rubber seal, which you must push into the inlet socket of the air diffuser. See Figure 2.



2007.035

Figure 1. Installation and overview of incorporated parts.

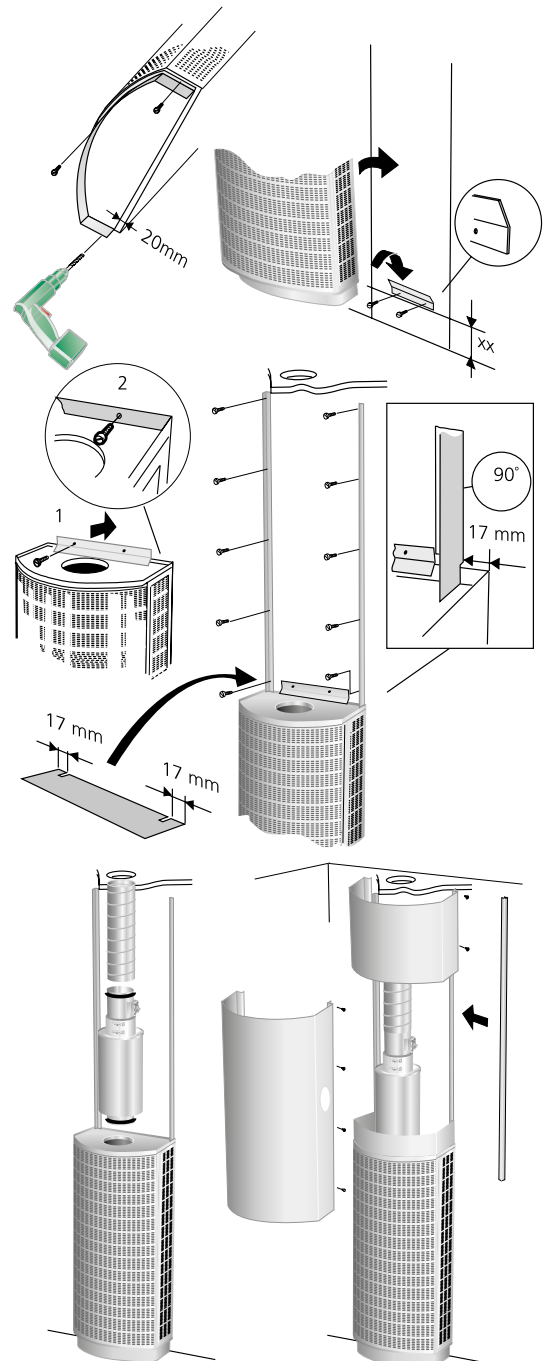


Figure 2. Installation

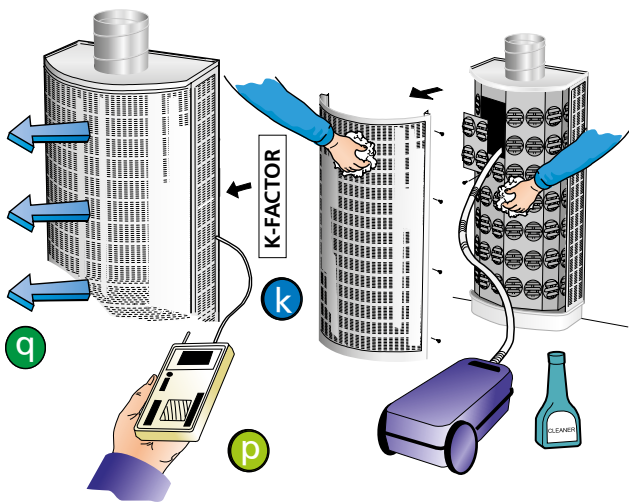
Commissioning

The measurement tapping is positioned on the right-hand side of the displacement air diffuser behind the aluminium strip. The K-factor (COP) is given on the product identification label on the diffuser to the side of the measurement tapping. K-factors (COP) can also be found in the relevant commissioning instructions at www.swegon.com. We recommend that you use the REG regulator unit for adjusting the airflow. See Figure 3.

To regulate how the air is supplied to the room, turn the air diffuser's Varizon®discs to make the air to flow in the desired direction. A straight air discharge can be achieved by taking the disc out of the diffuser, turning it 180° and reinserting it back into place. See Figure 4.

Maintenance

The air diffuser can be cleaned, if necessary, using lukewarm water with dishwashing detergent added or by vacuum cleaning using a brush nozzle. The duct system is accessed by removing the front panel and the inspection cover of the air distribution panel. See Figure 3.



$$q = k \cdot \sqrt{p}$$

$$p = \left(\frac{q}{k}\right)^2$$

q = flow reading l/s
p = current pressure reading (Pa)
k = commissioning factor

Figure 3. Commissioning, Maintenance.

Disc adjustment – Varizon®

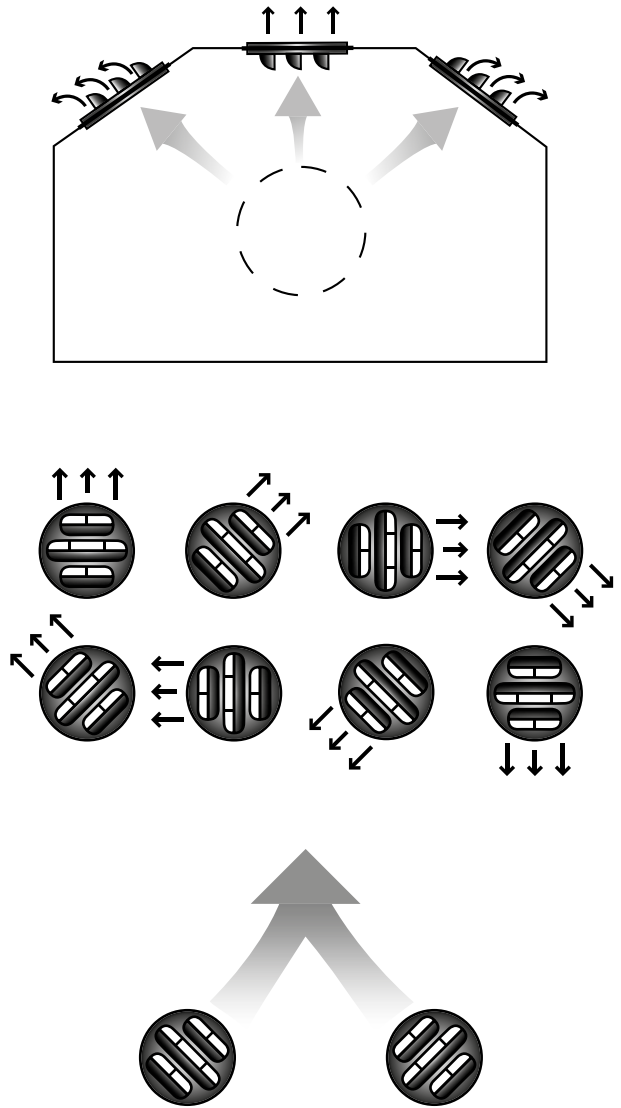


Figure 4. Disc adjustment: schematic overview.

Dimensions and Weights

DBC

Size	Dimensions (mm)					
	A	B	C	ØD	E	F
200	900	923	340	200	-	-
250	900	923	390	250	-	-
315	900	1523	455	315	-	-
400	900	2003	540	400	-	-
200-600	900	2003	340	-	600	200
300-600	900	2003	455	-	600	300

Size	Dimensions (mm)			Weight (kg)
	G	H	I	
200	160	-	188	26,0
250	185	-	238	28,0
315	218	-	303	45,0
400	260	-	388	75,0
200-600	113	55	188	65,0
300-600	163	55	303	70,0

REG

Size	Dimensions (mm)			
	ØC	Ød	G	H
200	300	199	230	500
250	350	249	250	500
315	415	314	260	800
400	500	399	300	800

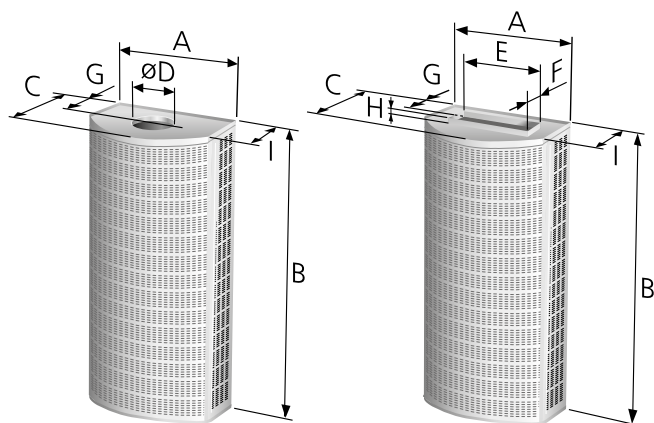


Figure 5. DBC.

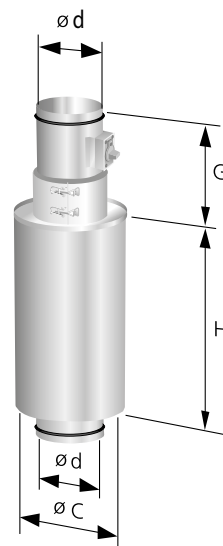


Figure 6. REG Regulator unit.

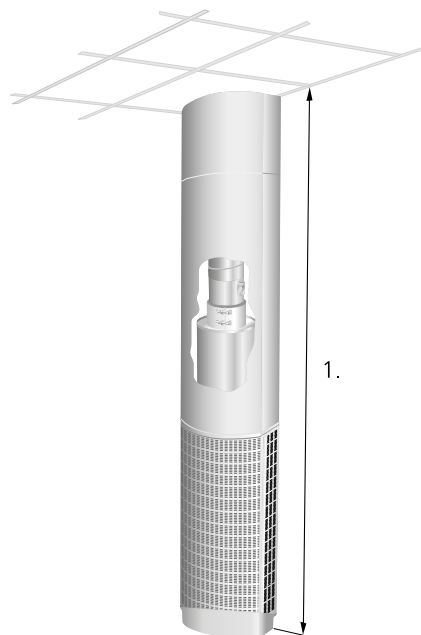


Figure 7. DBC with duct cover and base.

1. Sizes 200-315: 2400-2750.

Sizes 400, 200-600 and 300-600: 2850-3200.

If other lengths are required always state the total room height.

K-factor (COP)

Size	Supply air
200	34.0
250	54.0
315	89.5
400	142.5
200-600	122.0
300-600	185.0

Number of measuring tubes: 1